

SAX Valve Actuator

*24 Vac, Floating or Proportional Control
Floating, 0 to 10 Vdc or 4 to 20 mA
Non-Spring Return*



Flowrite SAX Valve Actuator.

Description

Designed for use with Flowrite valves with a 3/4-inch (20 mm) stroke. The Flowrite SAX Electronic Actuator requires either a 24 Vac or 24 Vdc supply, and receives a 0 to 10 Vdc or 4 to 20 mA control signal to proportionally control the valve or a floating control signal to provide floating control of the valve.

Features

- Proportional or floating (3P) control
- Direct-coupled installation
- Visual and electronic stroke indication
- Manual override
- Non-spring return
- 180 lb. (800 N) nominal force
- Automatic calibration (SAX61.03U only)
- Electro-mechanical switches protect components from overload and stall condition
- Maintenance-free

Applications

The Flowrite SAX Electronic Valve Actuator is designed to be used with the Flowrite and other valves in liquid and low pressure steam service applications. They are ideal for installations requiring quick response and excellent resolution.

A-183

Valves

SAX Actuator Specifications

Operating Voltage 24 Vac \pm 20%, 24 Vdc +20%/-15%
Frequency 45-65 Hz
Power Consumption (SAX61.03U) 8 VA
Power Consumption (SAX81.03U) 5 VA
Control Signals (SAX61.03U)
 Control Input (Y)
 Voltage 0 to 10 Vdc
 Current 4-20 mA
 Control Input (Z)
 Resistance 0-1000 Ohm
 Position Feedback Output (U) 0 to 10 Vdc
Control Signal (SAX81.03U) 3-Position (Floating)
Function
 Nominal Stroke 3/4" (20 mm)
 Run Time 30 sec.
 Nominal Force 180 lb. (800 N)

Agency Approvals UL873
 CSA C22.2 No. 24-93
Operating and Storage Temperature
 Operating Temperature 23 to 131°F (-5 to 55°C)
 Storage Temperature 5 to 131°F (-15 to 55°C)
 Transport Temperature -13 to 158°F (-25 to 70°C)
 Ambient Humidity 5 to 90% RH, Non-condensing
 Media Temperature Up to 266°F (130°C)
Conduit Opening 1/2" NPSM
Mounting Location NEMA 1 (Interior Only)

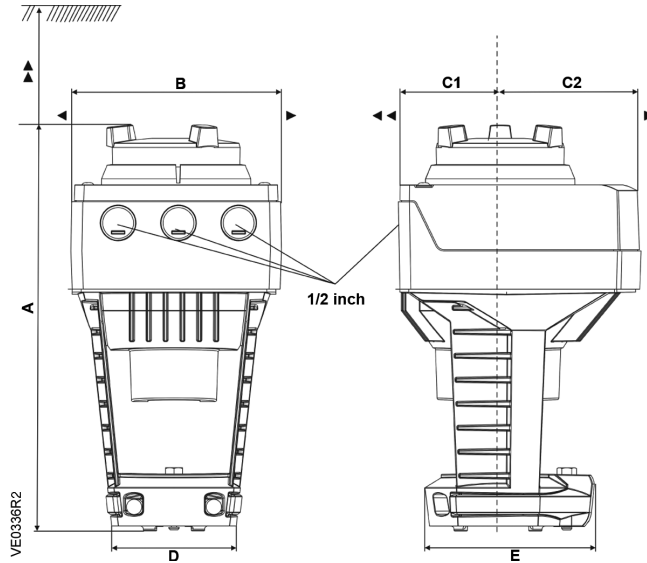
SAX Actuator Product Ordering

Description	Part No.	Actuator Prefix Code
24 Vac Proportional, Non-Spring Return	SAX61.03U	371
Floating 3P, Non-Spring Return	SAX81.03U	373

A-184

Valves

Dimensions



Dimensions shown in inches (mm).

A	B	C	C1	C2	D	E	▶	▶▶
9.5 (242)	5 (125)	6 (150)	2.7 (68)	3.3 (82)	3 (80)	4 (100)	4 (100)	8 (200)